

4W LED Candle Lamp

MODEL NO. MS-CDL-A-(CW/WW) (E11/E17/E26) -D *Dimmable
 NO. MS-CDL-A-(CW/WW) (E11/E17/E26) -ND *Non-dimmable

Specifications

Power consumption: 4W
 Input voltage: 110-120VAC, 50/60Hz
 LED operating life: 30,000 hours
 Colors: Warm-White(2700K - 3000K), Cool-White(5000K - 7000K)
 Lamp cap: E11•E17•E26
 Beam Angle: 200°
 Operating temperature: -20°C~40°C
 Weight: 64 g

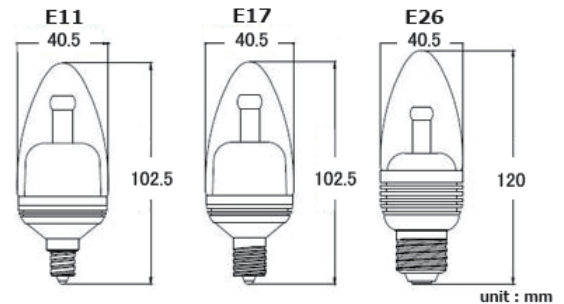
Dimmable

Replaces existing 25W incandescent bulb.
 Housing is designed to light more effectively.
 Superior thermal transmission control.
 No ultraviolet or infrared light.

Model No.	Colors	Luminous flux	Beam Angle	CRI
MS-CDL-A-CW	5000K - 7000K	200 lm	200°	≥60 CRI
MS-CDL-A-WW	2700K - 3000K	140 lm	200°	≥70 CRI



Dimensions



4W LED Clear GLS bulb

MODEL NO. MS-RB-CW-D // MS-RB-NW-D // MS-RB-WW-D *Dimmable
 MS-RB-CW-ND // MS-RB-NW-ND // MS-RB-WW-ND *Non-dimmable

Specifications

Power consumption: 4W
 Input voltage: 110-120VAC, 50/60Hz
 LED operating life: 30,000 hours
 Colors: Warm-White(2700K - 3000K), Natural-White(4000K - 5000K),
 Cool-White(4000K - 5000K)
 Lamp cap: E26
 Beam Angles: 200°
 Operating temperature: -20°C~40°C
 Weight: 82 g

Dimmable

Replaces existing 25W incandescent bulb.
 Housing is designed to light more effectively.
 Superior thermal transmission control.
 No ultraviolet or infrared light.

Model No.	Colors	Luminous flux	Beam Angle	CRI
MS-RB-CW	5000K - 6000K	180 lm	200°	≥70 CRI
MS-RB-NW	4000K - 5000K	200 lm	200°	≥65 CRI
MS-RB-WW	2700K - 3000K	220 lm	200°	≥60 CRI



* CE and RoHS compliant.