

Type A



Type B



3W LED Candle CW / WW

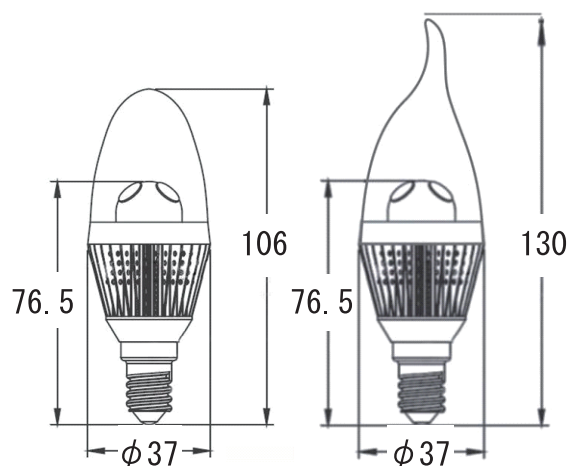
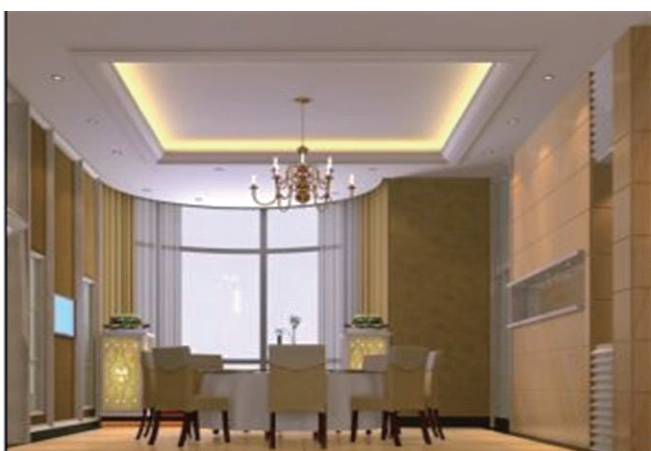
MODEL NO. MS-ALCDL- (SA/GA/BA) - (CW/WW)
NO. MS-ALCDL- (SB/GB/BB) - (CW/WW)

Specifications

Power consumption: 3W
Input voltage: 110~220VAC, 50/60Hz
LED operating life: 40,000 hours
Colors: Warm-White, Cool-White
Housing color: Gold, Silver, Black
Beam Angle: 300°
PF: ≥ 0.9
Lamp cap: E11•E17•E26
Operating temperature: $-20^{\circ}\text{C}\sim 40^{\circ}\text{C}$
Weight: 80 g

MODEL No.	Colors	Beam Angle	Luminous flux	CRI
MS-ALCDL-CW	7000K	300°	260 lm	85
MS-ALCDL-WW	2800K	300°	230 lm	85

CE and RoHS compliant.
Dimmable / Non-dimmable
Replaces existing 25W incandescent bulb.



unit:mm